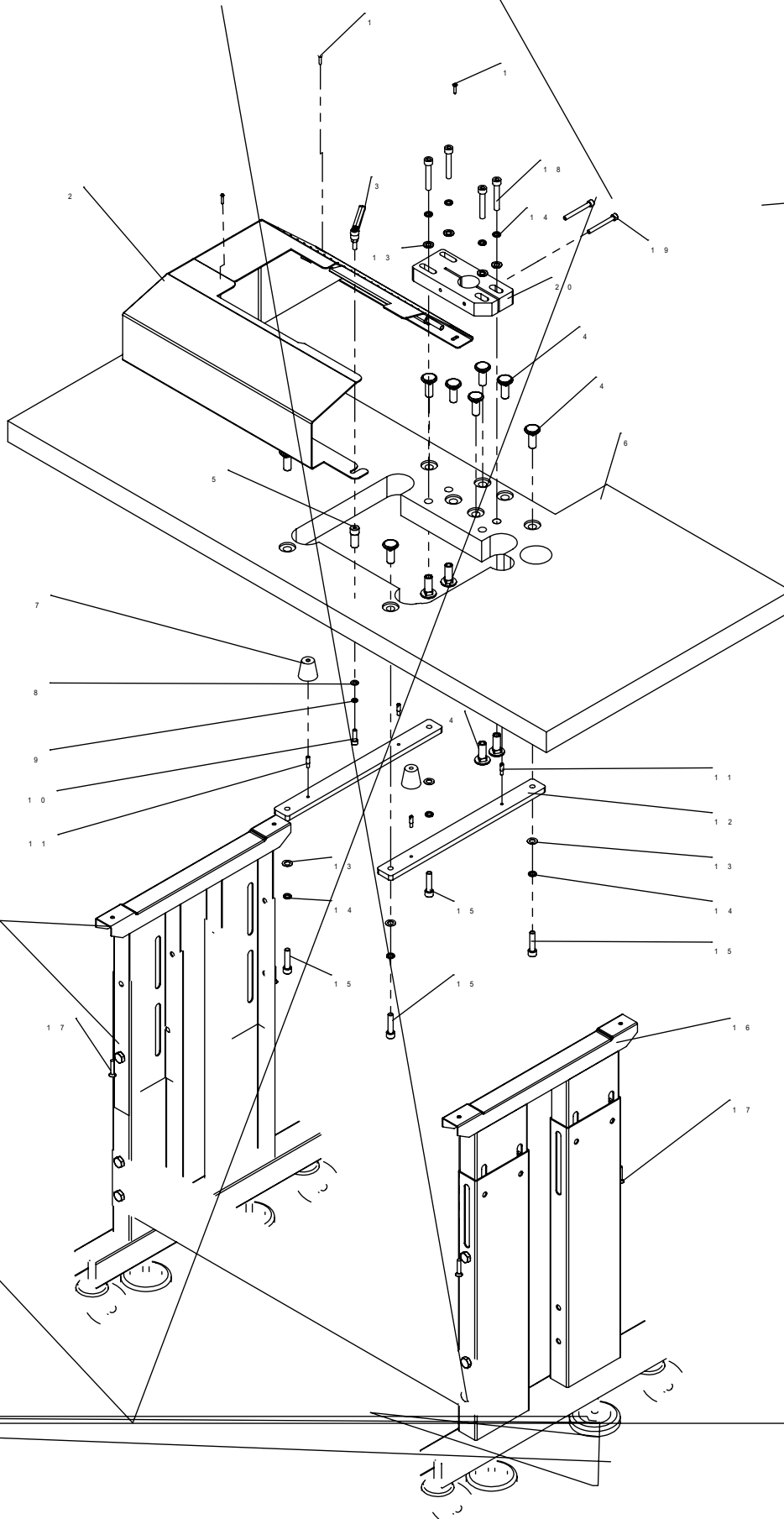
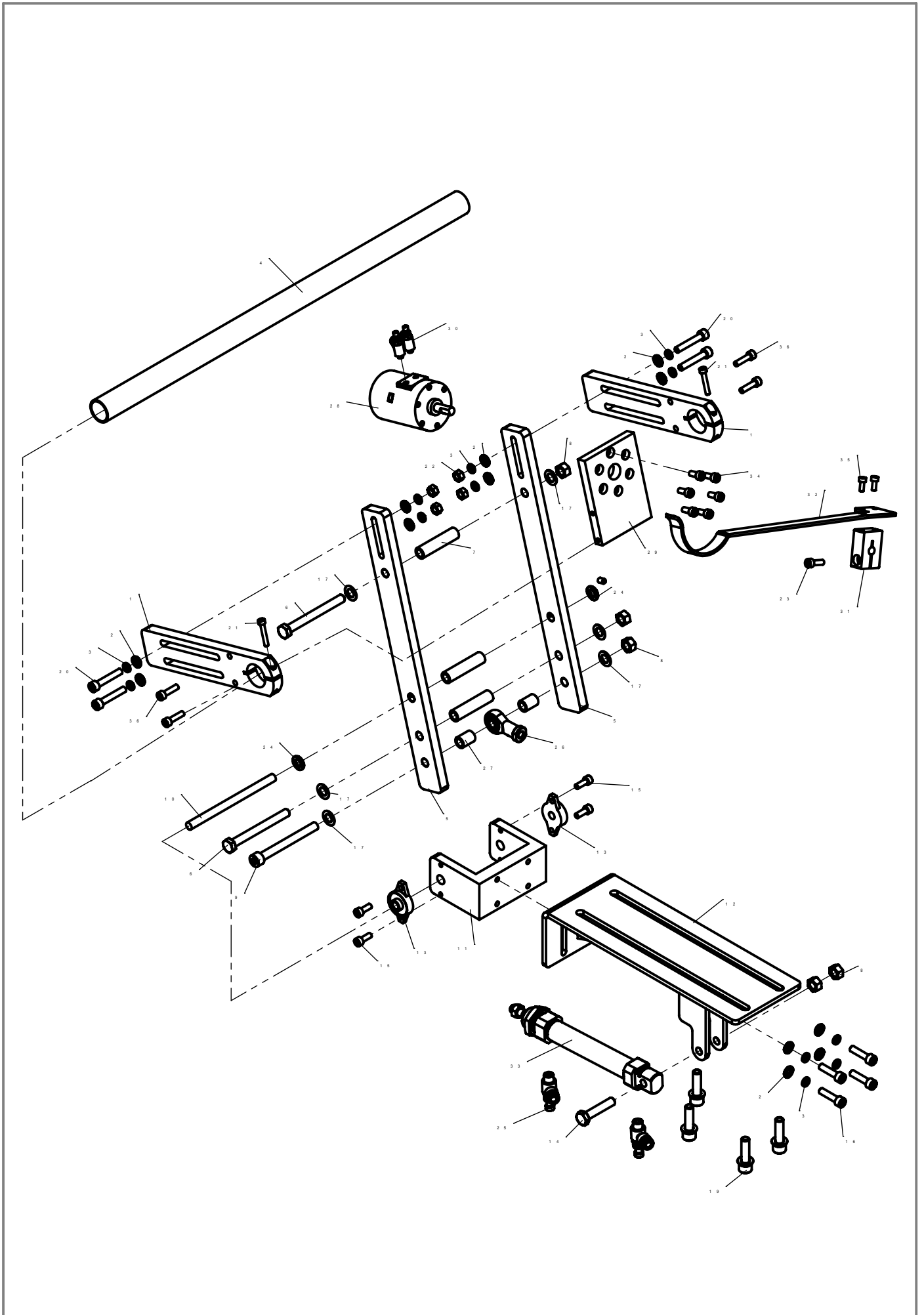


			N A M E O F P A R T S	
1	0 1 - 5 0 6 0 0 7 5 2 4 - 3		M 6 × 7 5	2
2	0 1 - 5 0 6 0 0 6 5 2 4 - 3		M 6 × 6 5	2
3	3 0 0 4 5 2 2 7		S D A 4 0 × 4 0	1
4	0 1 - 5 0 5 0 0 1 6 2 4 - 6		M 5 × 1 6	5
5	0 1 - 5 0 5 0 0 1 2 2 4 - 6		M 5 × 1 2	5
6	5 2 4 . 0 6 - 4 8			1
7	5 2 4 . 0 6 - 0 7	Y		1
8	5 2 4 . 0 6 - 4 6			1
9	0 3 - 6 0 5 0 0 0 3 2 0 - 6		M 5	4
1 0	0 1 - 8 0 5 0 0 2 5 1 4 - 6		M 5 × 2 5	4
1 1	5 2 4 . 0 6 - 0 8			1
1 2	0 1 - 8 0 3 0 0 0 5 1 4 - 1		M 3 × 5	4
1 3	3 0 0 4 7 3 4 4		L G C 4 A 8 0 R 8 - H	1
1 4	5 2 4 . 0 6 - 4 7			1
1 5	5 2 4 . 0 6 - 4 9			1
1 6	0 1 - 5 0 4 0 0 1 6 2 4 - 1		M 4 × 1 6	4
1 7	0 1 - 5 0 4 0 0 1 0 2 4 - 6		M 4 × 1 0	2
1 8	0 5 - 0 4 3 0 8 0 9 0 0 - 3		4 . 3 × 0 . 8 × 9	2
1 9	5 2 4 . 0 6 - 3 9			1
2 0	0 7 - 0 4 2 1 1 1 1 - 6		4 . 2 × 1 . 1 × 1 . 1	2
2 1	0 5 - 0 5 3 1 0 1 0 0 0 - 3		5 × 1 × 1 0	2
2 2	3 0 0 4 5 2 3 4			1
2 3	5 2 4 . 0 6 - 5 5			3
2 4	0 1 - 3 0 6 0 0 0 8 2 4 - 3		M 6 × 8	3
2 5	5 2 4 . 0 6 - 5 2			2
2 6	0 7 - 0 5 2 1 3 1 3 - 6		5 . 2 × 1 . 3 × 1 . 3	2
2 7	0 3 - 6 0 8 0 0 0 5 0 0 - 3		M 8 × 5	1

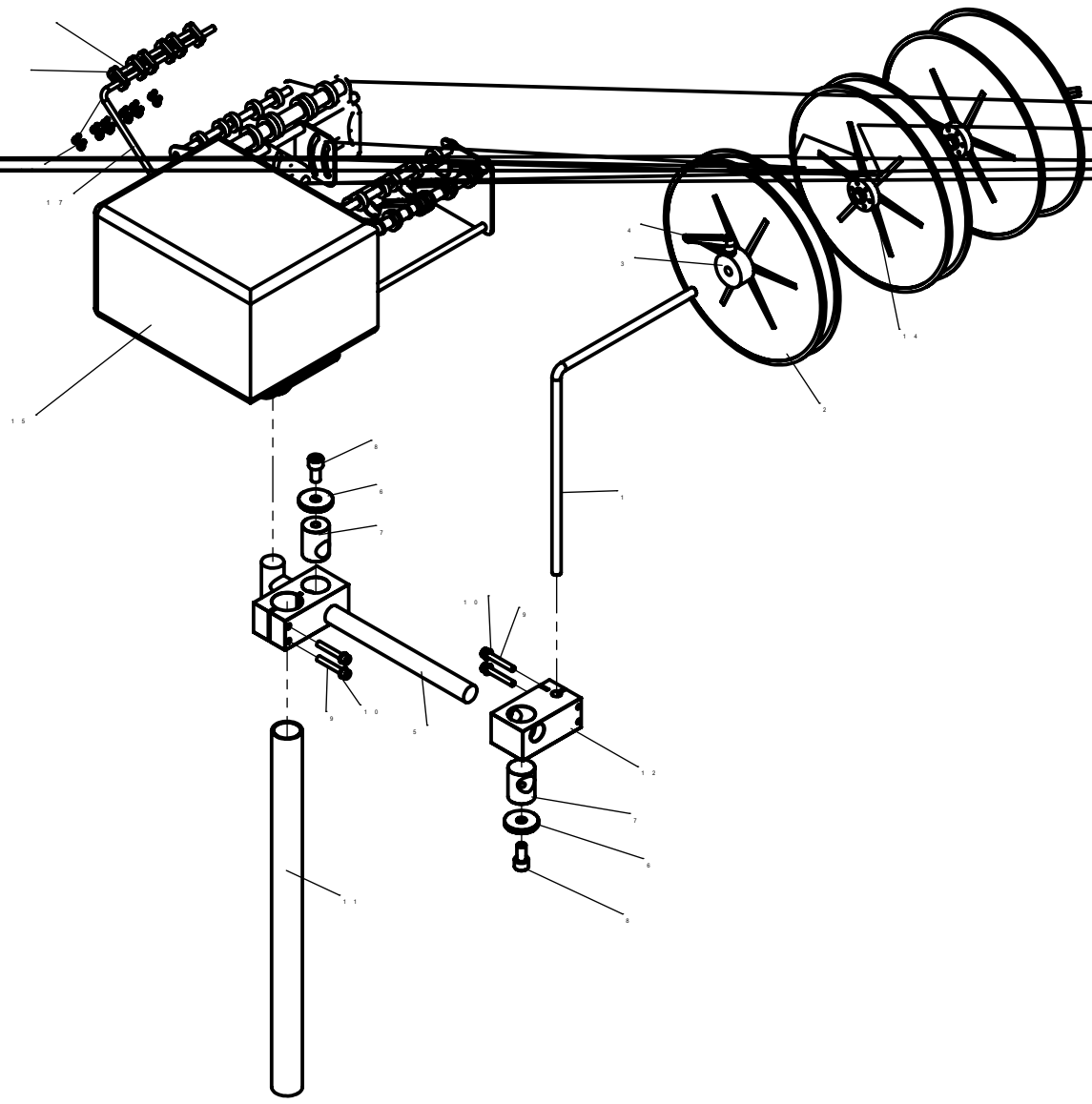
			NAME OF PARTS	
1	5 2 4 . 0 7 - 0 6			1
2	5 2 4 . 0 7 - 0 7			1
3	5 2 4 . 0 7 - 0 8			1
4	5 2 4 . 0 7 - 0 9	1		1
5	5 2 4 . 0 7 - 1 0			1
6	5 2 4 . 0 7 - 1 1			1
7	5 2 4 . 0 7 - 1 2	2		1
8	5 2 4 . 0 7 - 1 3			1
9	5 2 4 . 0 7 - 1 4			1
1 0	5 2 4 . 0 7 - 1 5			1
1 1	0 1 - 1 0 4 0 0 1 0 2 2 - 4	M 4 x 1 0		5
1 2	0 1 - 5 0 4 0 0 1 0 2 4 - 3	M 4 x 0		3
1 3	0 1 - 5 0 3 0 0 1 2 2 4 - 3	M 3 x 2		1
1 4	0 1 - 8 0 6 0 0 0 8 1 4 - 1	M 6 x 8		4
1 5	0 1 - 5 0 4 0 0 1 6 2 4 - 3	M 4 x 6		5
1 6	3 0 0 4 5 2 3 5			1
1 7	0 1 - 1 0 5 0 0 1 2 2 2 - 3	M 5 X 1 2		2
1 8	0 1 - 5 0 4 0 0 0 8 2 4 - 3	M 4 x 8		2
1 9	0 1 - 8 0 4 0 0 0 8 1 4 - 1	M 4 x 8		1
2 0	0 3 - 6 0 4 0 0 0 3 0 0 - 6	M 4		1
2 1	3 0 0 0 7 1 3 2			1
2 2	1 0 - 0 9 3 1 0 1 5 - 1	9 . 3 x 1 x 1 . 5		1



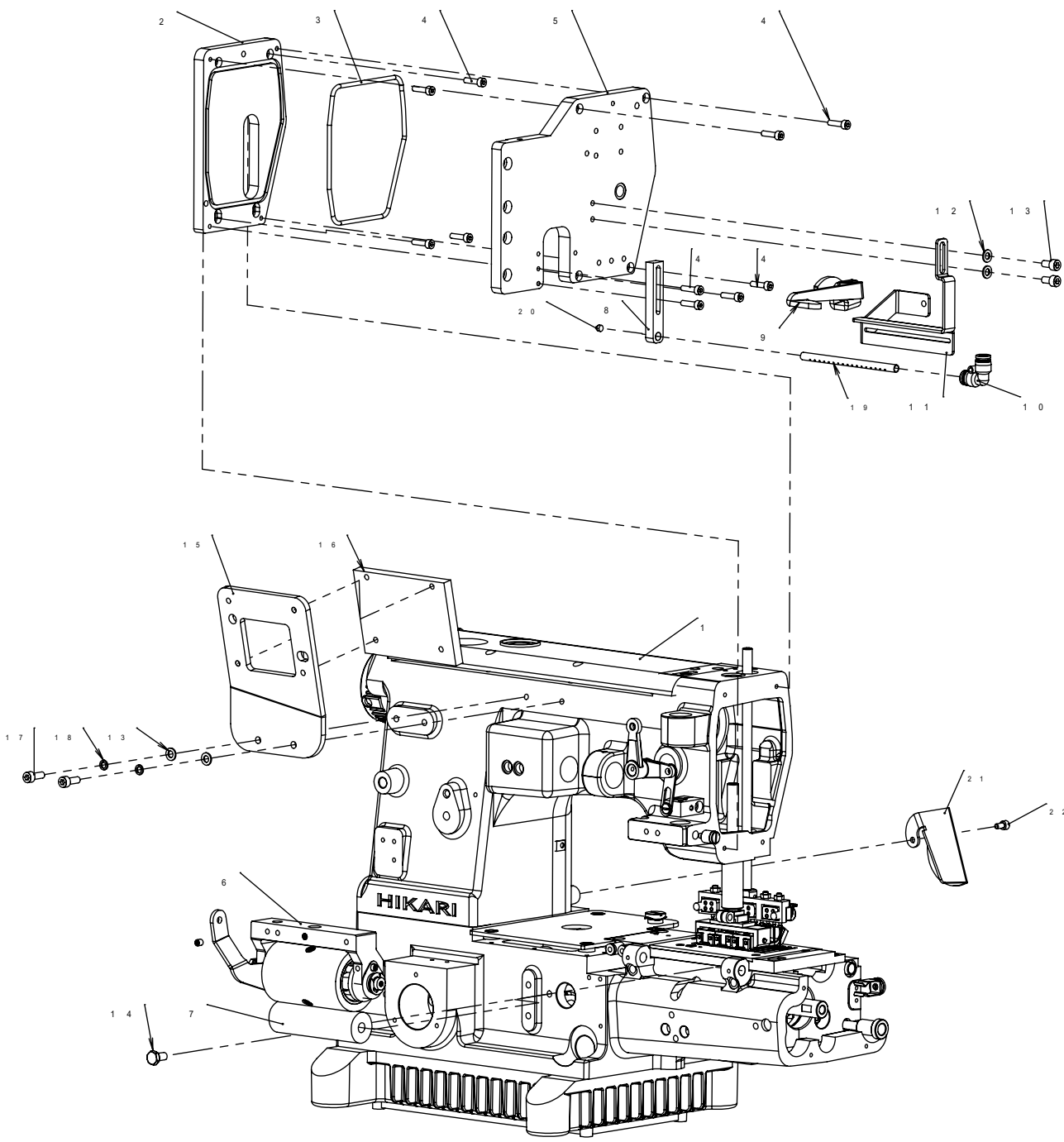
			N A M E O F P A R T S	
1	2 1 - 2 3 5 0 1 6 2 - 4	3 . 5 x 1 6		3
2	5 2 4 . 0 7 - 0 3 - 0 0	2		1
3	3 0 0 4 8 3 8 0	M 6 x 1 5		1
4	3 0 0 0 1 0 6 6	H X 6 8 0 4 - 0 2		8
5	5 2 4 . 0 6 - 6 1			1
6	5 2 4 . 0 7 - 0 2			1
7	3 3 1 . 2 0 - 0 1			4
8	0 5 - 0 6 4 1 6 1 2 0 0 - 6	6 . 4 x 1 . 6 x 1 2		1
9	0 7 - 0 6 3 1 6 1 6 - 6	6 . 3 x 1 . 6 x 1 . 6		1
1 0	0 1 - 5 0 6 0 0 2 0 2 4 - 6	M 6 x 2 0		1
1 1	3 1 1 . 2 0 - 1 9			4
1 2	5 2 4 . 2 0 - 1 3			2
1 3	0 5 - 0 8 4 1 6 1 6 0 0 - 3	8 . 5 x 1 x 1 4		8
1 4	0 7 - 0 8 1 2 1 2 1 - 6	8 . 1 x 2 . 1 x 2 . 1		8
1 5	0 1 - 5 0 8 0 0 3 5 2 4 - 3	M 8 x 3 5		4
1 6	1 0 0 0 3 0 3 6	2 m m + 2 . 5 +		1
1 7	2 1 - 3 5 0 1 9 3 2 - 4			4
1 8	0 1 - 5 0 8 0 0 5 0 2 4 - 3	M 8 x 5 0		4
1 9	0 1 - 5 0 6 0 0 5 5 2 4 - 3	M 6 x 5 5		2
2 0	5 2 4 . 0 6 - 9 0			1



			NAME OF PARTS	
1	5 2 4 . 0 9 - 0 2	2		2
2	0 5 - 0 6 4 1 6 1 2 0 0 - 6	6 . 4 × 1 . 6 × 1 2		1 2
3	0 7 - 0 6 3 1 6 1 6 - 3	6 . 3 × 1 . 6 × 1 . 6		1 2
4	5 2 4 . 0 9 - 0 7			1
5	5 2 4 . 0 9 - 0 1	1		2
6	0 1 - 7 0 8 0 0 8 0 2 5 - 3	M 8 × 8 0		2
7	5 2 4 . 0 9 - 1 6			3
8	0 3 - 6 0 8 0 0 0 6 5 0 - 6	M 8 × 6 . 5		5
9	0 1 - 5 0 8 0 0 8 0 2 4 - 6	M 8 × 8 0		1
1 0	5 2 4 . 0 9 - 1 4			1
1 1	5 2 4 . 0 9 - 1 2			1
1 2	5 2 4 . 0 9 - 1 3 - 0 0			1
1 3	3 0 0 3 8 7 0 3	8 m m		2
1 4	0 1 - 7 0 8 0 0 4 0 2 5 - 6	M 8 × 4 0		1
1 5	0 1 - 5 0 5 0 0 1 4 2 4 - 3	M 5 × 1 4		4
1 6	0 1 - 5 0 6 0 0 2 5 2 4 - 3	M 6 × 2 5		4
1 7	0 5 - 0 8 4 1 6 1 6 0 0 - 3	8 . 5 × 1 × 1 4		1 0
1 8	0 7 - 0 8 1 2 1 2 1 - 1	8		4
1 9	0 1 - 5 0 8 0 0 3 0 2 4 - 3	M 8 × 3 0		4
2 0	0 1 - 5 0 6 0 0 3 5 2 4 - 3	M 6 × 3 5		4
2 1	0 1 - 5 0 4 0 0 2 5 2 4 - 3	M 4 × 2 5		2
2 2	0 3 - 6 0 6 0 0 0 5 0 0 - 6	M 6		4
2 3	0 1 - 5 0 5 0 0 1 6 2 4 - 3	M 5 × 1 6		1
2 4	5 2 4 . 0 9 - 2 2			2
2 5	P S L 6 0 1 A			2
2 6	F - M 8 × 1 2 5 U	M 8		1
2 7	5 2 4 . 0 9 - 1 7	2		2
2 8	3 0 0 4 4 1 1 3	C R B 2 B W U 3 0 - 1 8 0 S Z		1
2 9	5 2 4 . 0 9 - 2 5			1
3 0	3 0 0 2 7 3 8 5	A S 1 2 0 1 F - M 5 - 0 4		2
3 1	5 2 4 . 0 9 - 2 4			1
3 2	5 2 4 . 0 9 - 2 6			1
3 3	3 0 0 5 2 9 9 5	M 1 2 0 × 7 5		1
3 4	0 1 - 5 0 5 0 0 1 2 2 4 - 6	M 5 × 1 2		6
3 5	0 1 - 5 0 4 0 0 1 0 2 4 - 3	M 4 × 1 0		2
3 6	0 1 - 5 0 5 0 0 2 0 2 4 - 3	M 5 × 2 0		4
3 7	0 1 - 8 0 5 0 0 0 8 1 4 - 1	M 5 × 8		2



			N A M E O F P A R T S	
1		3		1
2		6		6
3		7		2
4		M 6 x 1 5		2
5		8		1
6	5 2 4 . 0 6 - 8 8			2
7	5 2 4 . 0 6 - 8 7			2
8	0 1 - 5 1 0 0 0 2 0 2 4 - 3	M 1 0 x 2 0		2
9	0 1 - 5 0 6 0 0 3 0 2 4 - 6	M 6 x 3 0		4
1 0	0 5 - 0 6 4 1 1 2 1 4 0 0 - 1	6 . 4 x 1 . 2 x 1 4		4
1 1		2		1
1 2	5 2 4 . 0 6 - 8 6			1
1 3	5 2 4 . 0 6 - 8 5	2		1
1 4	5 2 4 . 0 6 - 9 4			2
1 5	1 0 0 0 2 3 4 6			1
1 6	0 1 - 5 0 4 0 0 0 8 2 4 - 3	M 4 x 8		1 2
1 7	5 2 4 . 0 6 - 6 6	2		1
1 8	5 2 4 . 0 6 - 6 7	1		6
1 9	5 2 4 . 0 6 - 9 2	2		3



			N A M E O F P A R T S	
1	H S A T - K 7 - 1 2 6 4 A K / P L			1
2	5 2 4 . 0 6 - 0 2			1
3	3 3 1 . 0 1 - 0 5			1
4	0 1 - 5 0 4 0 0 1 6 2 4 - 3	M 4 × 1 6		1 0
5	5 2 4 . 0 6 - 0 1			1
6	5 2 4 . 1 4 - 0 0			1
7	3 3 1 . 1 3 - 0 3 - 2 4	P U		1
8	5 2 4 . 0 6 - 3 2			1
9	5 2 4 . 0 6 - 1 1			1
1 0	P V 6	V		1
1 1	5 2 4 . 0 6 - 5 4			1
1 2	0 5 - 0 5 3 1 0 1 0 0 1 - 5	5 . 3 × 1 . 0 × 1 0		2
1 3	0 1 - 5 0 5 0 0 1 0 2 4 - 3	M 5 × 1 0		2
1 4	0 1 - 7 0 6 0 0 1 2 2 5 - 4	M 6 × 1 2		1
1 5	5 2 4 . 3 0 - 8 7			1
1 6	2 0 0 0 4 5 5 1	4 . 3		1
1 7	0 1 - 5 0 5 0 0 1 4 2 4 - 3	M 5 × 1 4		2
1 8	0 7 - 0 5 2 1 3 1 3 - 6	5 . 2 × 1 . 3 × 1 . 3		2
1 9	5 2 4 . 0 6 - 3 3			1
2 0	3 0 0 4 7 3 4 3	φ 5		1
2 1	5 2 4 . 0 7 - 1 6			1
2 2	0 1 - 5 0 4 0 0 0 8 2 4 - 3	M 4 × 8		1